

DESHBANDHU COLLEGE

KALKAJI, NEW DELHI-110019

DATE: 14-08-2020

TENDER NOTICE FOR THE MAKING/PURCHASE OF LAB PLATFORM (TABLE) AND RELEVANT ITEMS

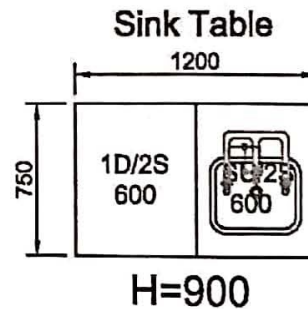
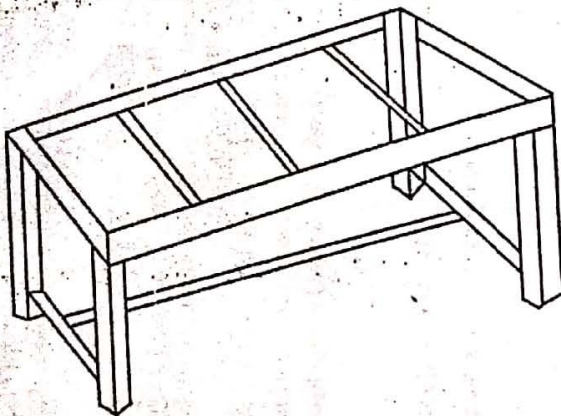
S No	Description of Item	Size of Tables	Quantity	Rates	Cost per Table (complete in all respect)
1	<p><i>Providing Lab platform (Table) for DBT Lab in different sizes, fabricated with 304 grade Stainless Steel (SS Jindal Hisaar) 50 MM Square Pipe of 14 Gauge with SS high gloss polished.</i></p> <ul style="list-style-type: none"> • Legs 2"x2" 14 gauge(31". Height) • Frame under Granite top 2"x2" 14 gauge • Footrest 2"x2"(Four side) 2"x2" 14 gauge <p><i>& Zed black platform of 25 mm Granite With polish, with half round Molding & cutting for fixing of stainless steel Sink .(Size of sink 24"x18"x9")</i></p>	Size : Length - 84" Width- 31" Height- 31" (Steel Weight 50 KG Approximate)	1		
2		Size : Length - 60" Width- 40" Height- 31" (Steel Weight 45 KG Approximate)	1		
3		Size : Length - 216" Width- 31" Height- 31" (Steel Weight 90 KG Approximate)	1		
4		Size : Length - 192" Width- 31" Height- 31" (Steel Weight 80 KG Approximate)	1		
5		Providing & Fixing 304 grade Stainless Steel Sink with all relevant accessories. i.e drain pipe , pillar Tap	Size of sink 24"x18"x9"	1	
				Amount	
				GST (If any)	
				Gross Total	

Terms & Conditions:

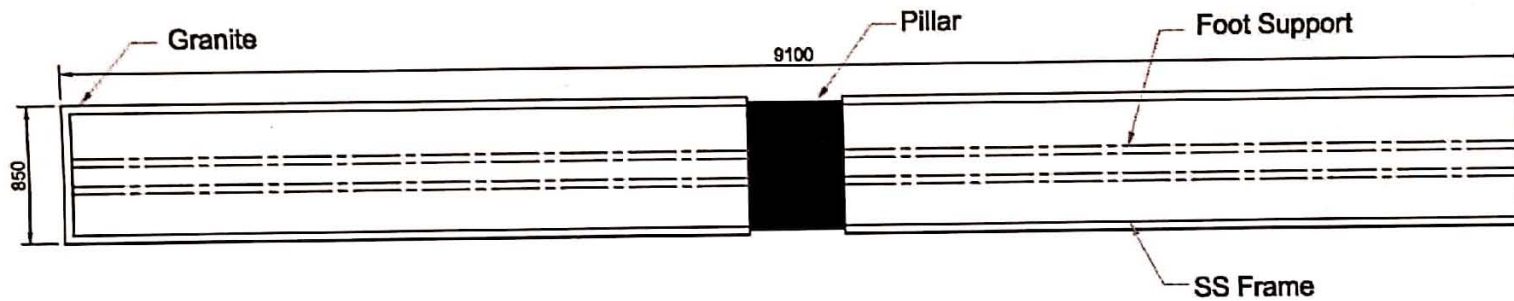
1. The quotation should contain the complete technical specifications.
2. The quotation should be valid for 120 days from the date of submission.
3. The price quoted should include all taxes.
4. The number of items and dimensions may increase or decrease at the sole discretion of the college.
5. The college reserves the right to cancel/call off any quotation without assigning any reason/s.
6. Granite stone should be fixed on half inch water proof plywood sheet for electric insulator and each table would have provision for fixing electric switch & socket both side with distance of 2-3 foot.
7. Payment will be made only after the successful delivery of the work as found satisfactory to the competent authority.
8. To have an idea for "design and dimension" a representative images are attached herewith.

Rajw Agg
PRINCIPAL

Design outline of the table



***Kindly note that the last date of submission of quotation is 28th August 2020 till 04:00 PM in Principal's Office. No Later quotations will be accepted.**



Specification:

1. Granite Top D=850mm
2. SS 304 Frame with Foot Support Both side of Table
3. Table H =900mm , L=9100mm , W = 850mm